



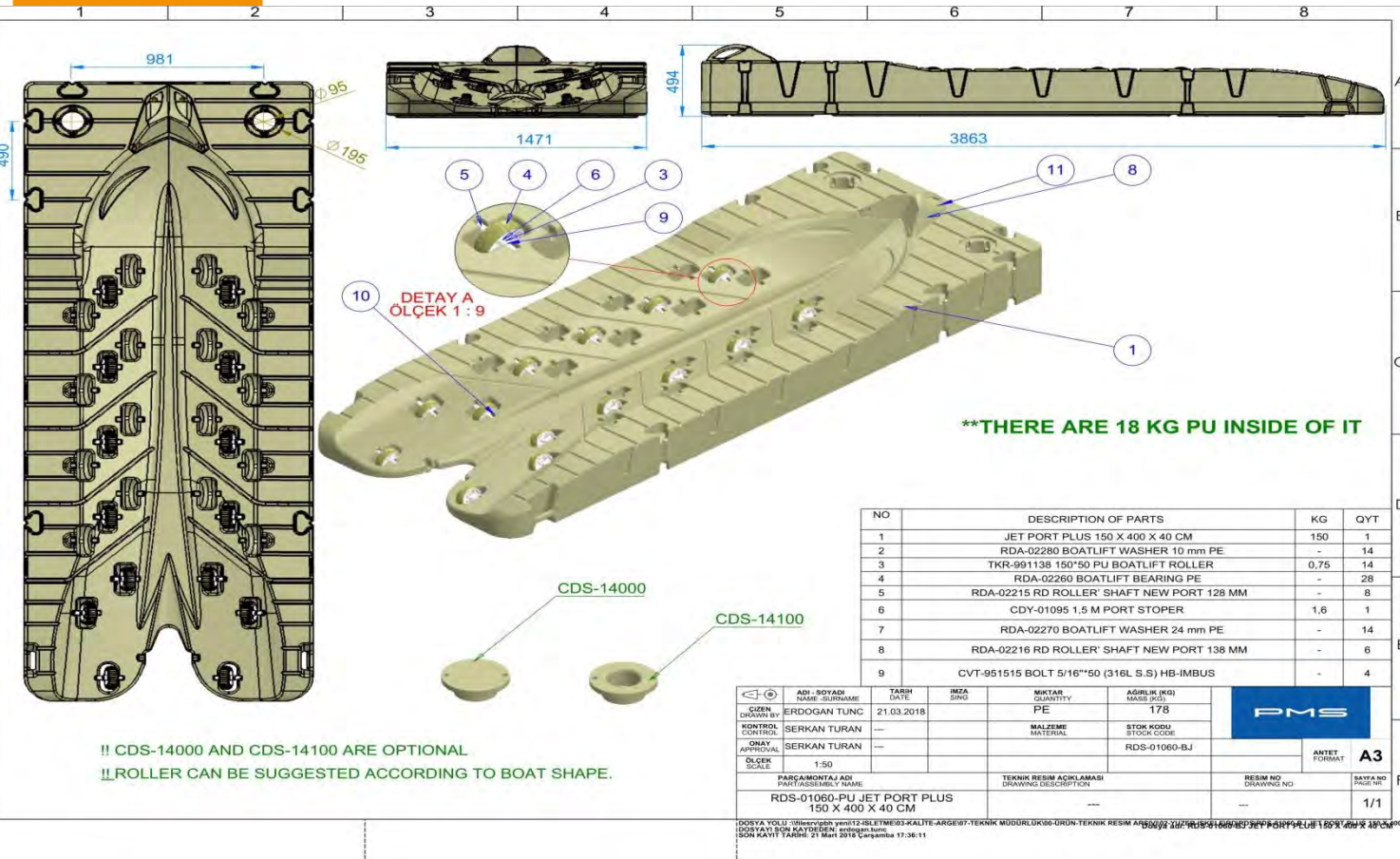
JETPORT – PLUS & MAX
CONNECTING EQUIPMENT
ACCESSORIES
MOORING EQUIPMENT

Product Features

Enabling you to create areas for yourself at sea, lakes and rivers, JETPORT protects the product against winds and waves moving as per the changes of water level. In addition, it helps keep your product dry enough by means of the discharge holes. JETPORT can present exclusive solutions due to the fact that installation can be carried out with some connection equipment (vault, metal equipment, pipe bracket etc.) and that it can be mounted to Cubedock, Rotodock and Marinedock products as well as easy going up and down.

Product Code: Product Definition:

RDS-01060-PU JET PORT PLUS



JetSkiPort



Technical Information

Width	: 147 cm	Bearing Capacity	: 1.000 kg
Length	: 396 cm	Weight	: 178 kg
Height	: 38 cm	Material	: Polyethylene

- Design presenting safe and soft going-up
- Sanded surface preventing slipping
- 5 pieces of adjustable polyurethane roller providing easy going-up/down, standing body pads and protecting jet ski core
- 8 pieces of side roller protecting jet ski core against friction and abrasion
- Useful and comfortable system discharging water accumulated on the product
- Stability by means of design
- Safe standing due to raised head part
- Stopper preventing the product to go out of the port in case of fast and uncontrolled moving
- Design presenting safe and soft going-up
- Handle on the head part of the product
- Handles used for carrying and connecting on both sides of the entry part

Suitable to fasten cleats without damaging the product by means of metal inserts coalescing with plastic during the production

Goffratura antiscivolo

Zona di ancoraggio per tubi integrata

Testa della pedana rimovibile

Maniglie laterali

Zona di accesso meno ripida e a forma di «V» con rullo centrale

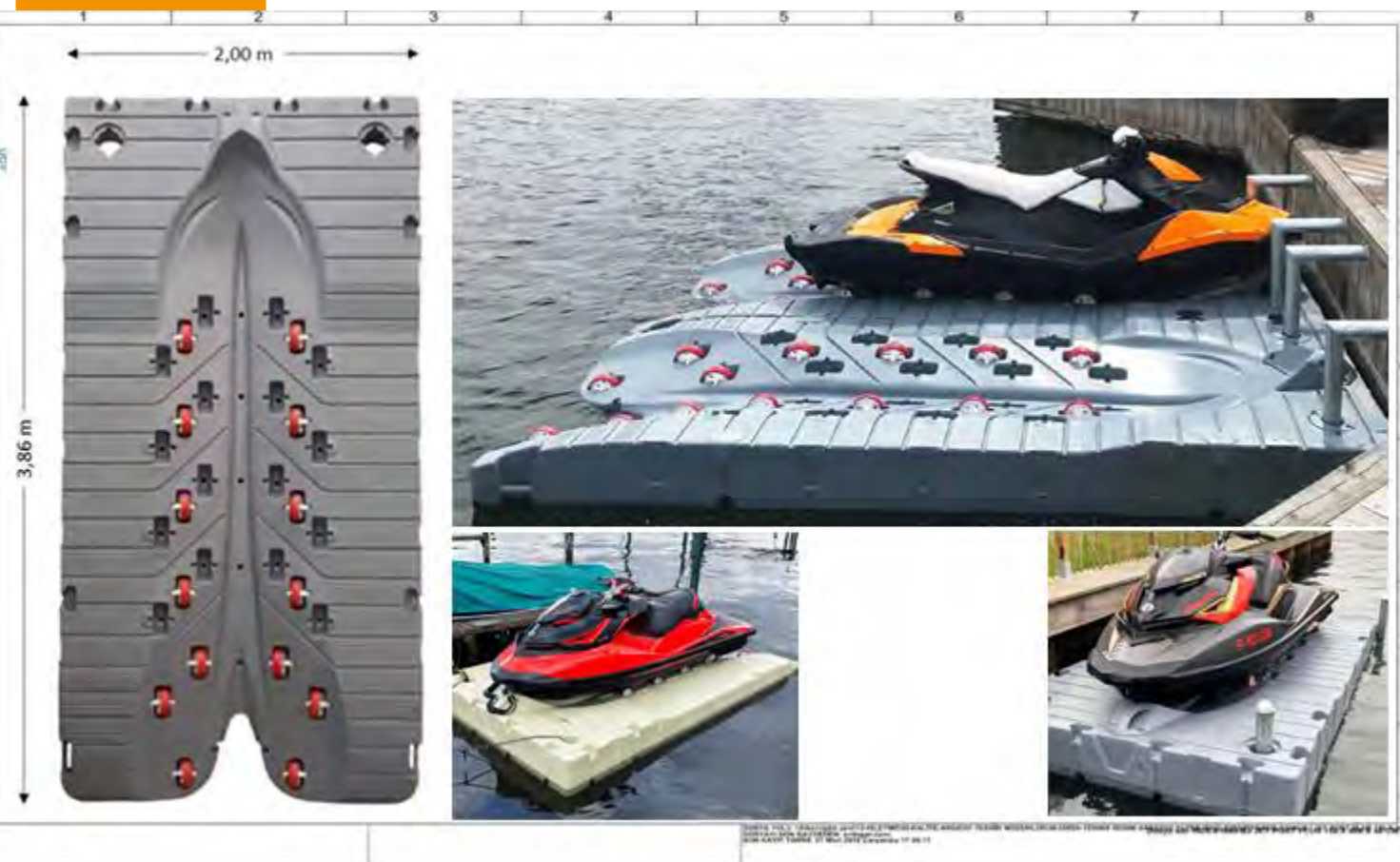
Rulli laterali regolabili

2,00m

50 cm più larga, per migliorare il comfort di utilizzo

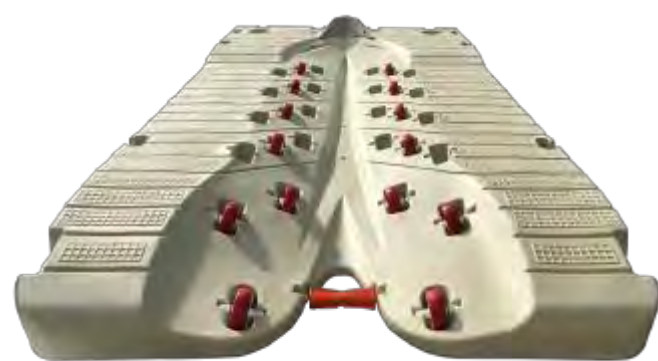
Product Code: Product Definition:

RDS-01070-PU JET PORT MAX



Technical Information

Width	: 200 cm	Bearing Capacity	: 1.340 kg
Length	: 396 cm	Weight	: 205 kg
Height	: 38 cm	Material	: Polyethylene

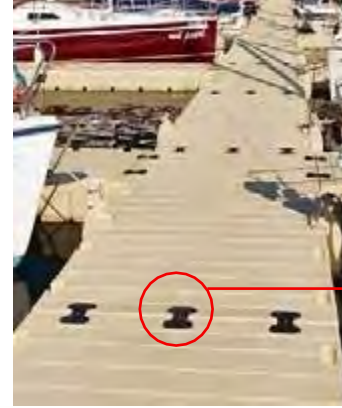
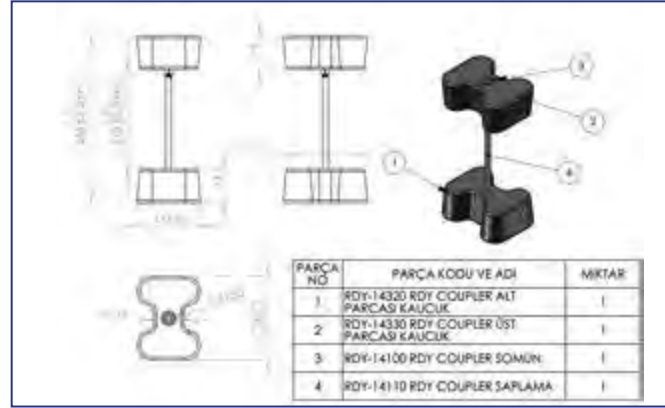


- Design presenting safe and soft going-up
- Sanded surface preventing slipping
- 5 pieces of adjustable polyurethane roller providing easy going-up/down, standing body pads and protecting jet ski core
- 8 pieces of side roller protecting jet ski core against friction and abrasion
- Useful and comfortable system discharging water accumulated on the product
- Stability by means of design
- Safe standing due to raised head part
- Stopper preventing the product to go out of the port in case of fast and uncontrolled moving
- Design presenting safe and soft going-up
- Handle on the head part of the product
- Handles used for carrying and connecting on both sides of the entry part

Suitable to fasten cleats without damaging the product by means of metal inserts coalescing with plastic during the production

Jet SkiPort





Technical Information

Width	: 13,7 cm	Weight	: 2,6 kg
Length	: 17,2 cm	Material	: Kauçuk
Height	: 37 cm		

Additional Information

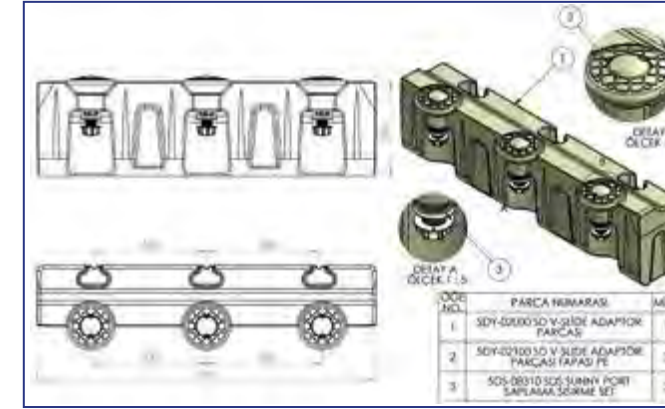
It mounts the Rotodock pontoons each other made of durable and flexible rubber material.

Product Code: Product Definition:

SDS-08200

SUNNYDOCK ADAPTER

Fittings



Technical Information

Width	: 37 cm	Weight	: 18,3 kg
Length	: 147 cm	Material	: Polyethylene
Height	: 41 cm		

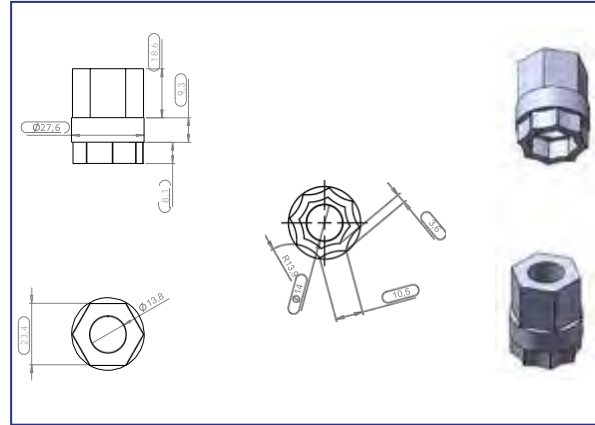
Additional Information

Adapters connecting Rotodock piers with Sunnydock piers.

Product Code:

Installation Equipment

Product Code: Product Definition:

RDS-17200 RD SPANNER

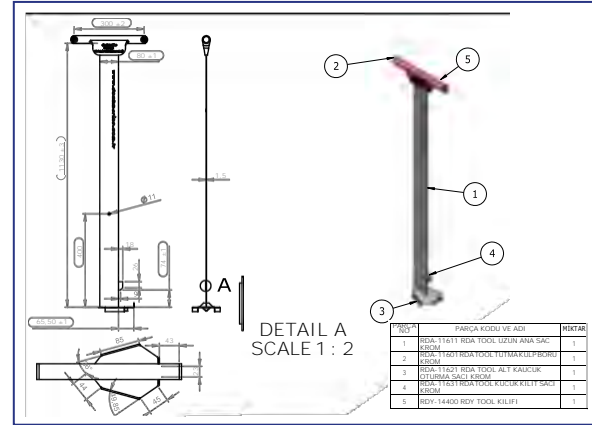
Technical Information

Diameter	: 3,6 cm	Weight	: 0,015 kg
Height	: 2,8 cm	Material	: Plastic

Additional Information

It is used together with socket heads of 22 and 24 in order to insert the ratchets for tightening the rubber bolts.

Product Code: Product Definition:

RDS-07301 RD CHROME

Technical Information

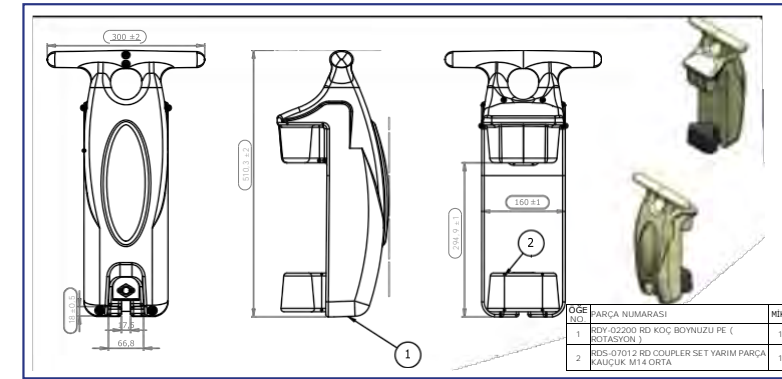
Width	: 30 cm	Weight	: 3,2 kg
Length	: 113 cm	Material	: Chrome

Additional Information

It is an equipment to mount the Rotodock pontoons on the water to each other with rubber parts.

ACCESSORIES

Product Code: Product Definition:

RDS-04601-BJ PE CLEAT W/ FENDERSET

Technical Information

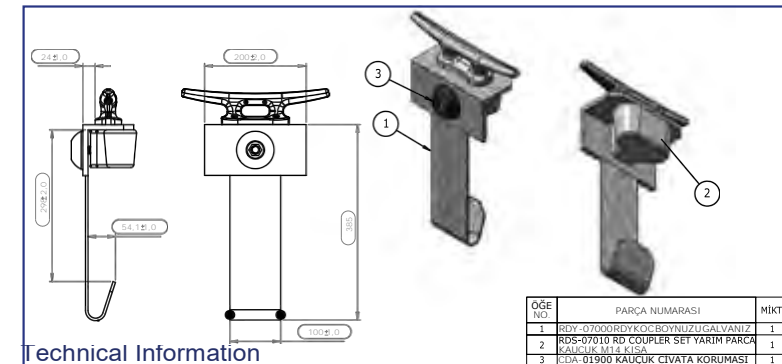
Width	: 30 cm	Weight	: 2,9 kg
Length	: 21 cm	Material	: Polyethylene
Height	: 51 cm		

Additional Information

Rotational production cleat with fender. Includes fender to prevent damage to the boat and cleat for mooring the boat at wharf.



Product Code: Product Definition:

RDS-04610 RD CLEAT SET, GALVANISED

Technical Information

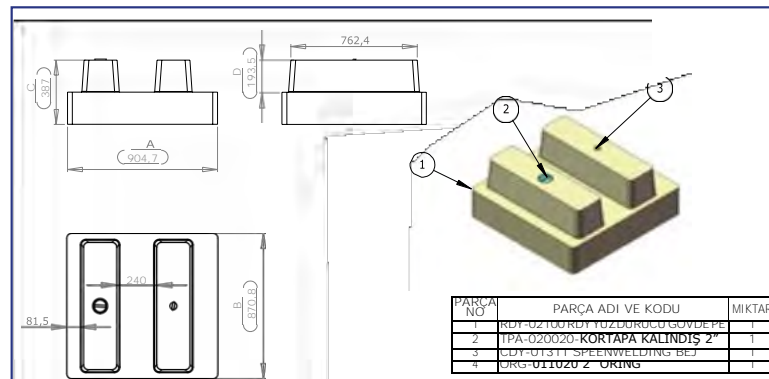
Width	: 30 cm	Weight	: 7,5 kg
Length	:	Material	: Galvanised
Height	: 45 cm		

Provides high tonnage mooring capacity. Rubber guard prevents damage to boats.



Accessories

Product Code: Product Definition:

RDS-04100-BJ RD FLOATER 2x3 SET

Technical Information

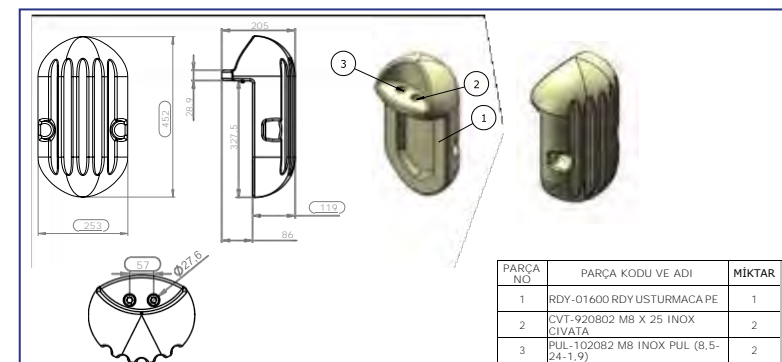
Width	: 87 cm	Weight	: 15 kg
Length	: 90 cm	Material	: Polyethylene
Height	: 39 cm		

Additional Information

Rotodock is installed to the ducts under the pontoons. It is used on the burdening points. For example, the point that gangway takes place. It provides extra bearing capacity of 215 kg.



Product Code: Product Definition:

RDS-04700-BJ RD CLEAT SET, PE (BEIGE)**RDS-04710-BJ RD CLEAT SET AFINITY (BEIGE)**

Technical Information

Width	: 21 cm	Weight	: 1,85 kg
Length	: 30 cm	Material	: Polyethylene
Height	: 51 cm		

Additional Information

Used for cleating on wharves. Made in two different material types: polyethylenematerial and soft material.



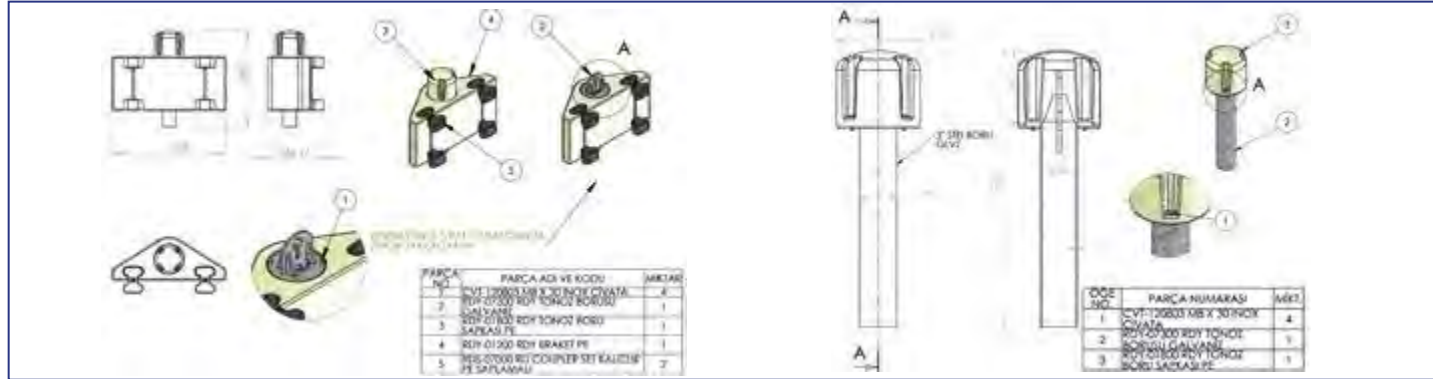
Fender

Product Code: Product Definition:

Mooring with Chain and Vault

RDS-07101-BJ RD VAULT BRACKET SET, CAPPED

RDS-07102 RD VAULT PIPE CAPPED SET, GALVANIZED



Technical Information

Width	: 39 cm	Weight	: 18,75 kg
Length	: 79 cm	Material	: Polyethylene
Height	: 66 cm		

Additional Information

It allows to adjust the demanded scope of cable with the special chain lock system

Technical Information

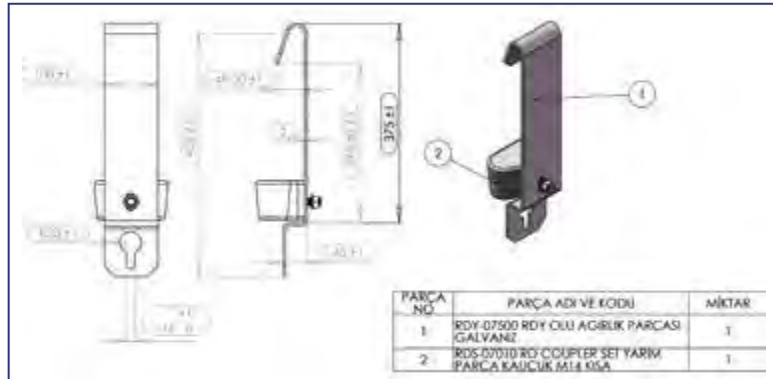
Diameter	: 20 cm	Weight	: 20 kg
Height	: 66 cm	Material	: Galvanized

Additional Information

It allows the pier connection of the chains connecting with the vaults used to moor the pier.

Product Code: Product Definition:

RDS-07410 RD STANDARD CHAIN PASSING SET

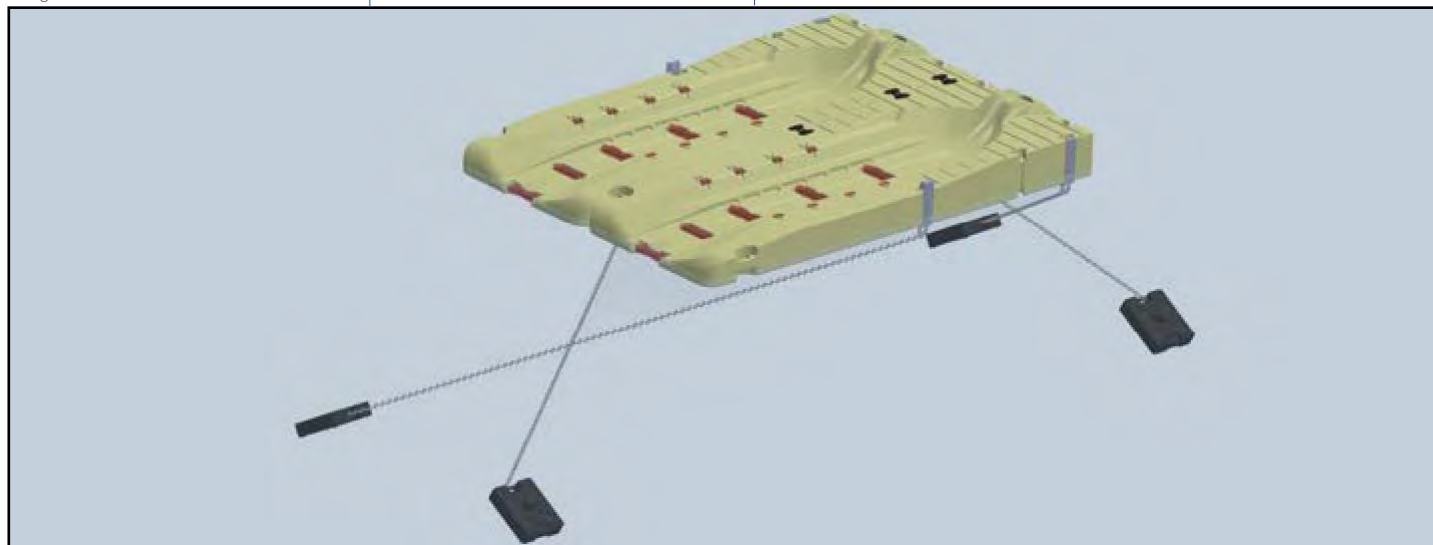


Technical Information

Width	: 10 cm	Weight	: 5 kg
Length	: 5 cm	Material	: Galvanized
Height	: 45,5 cm		

Additional Information

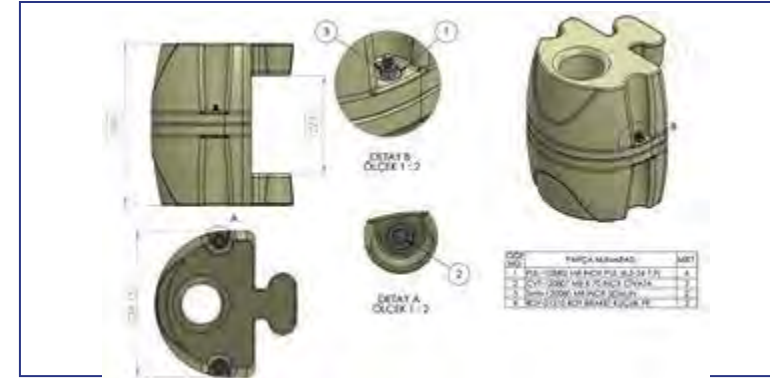
It is used on the places where mooring is carried out with vault and chain.



Product Code: Product Definition:

Mooring with Pole

RDS-07110-BJ RD PIPE BRACKET SET



Technical Information

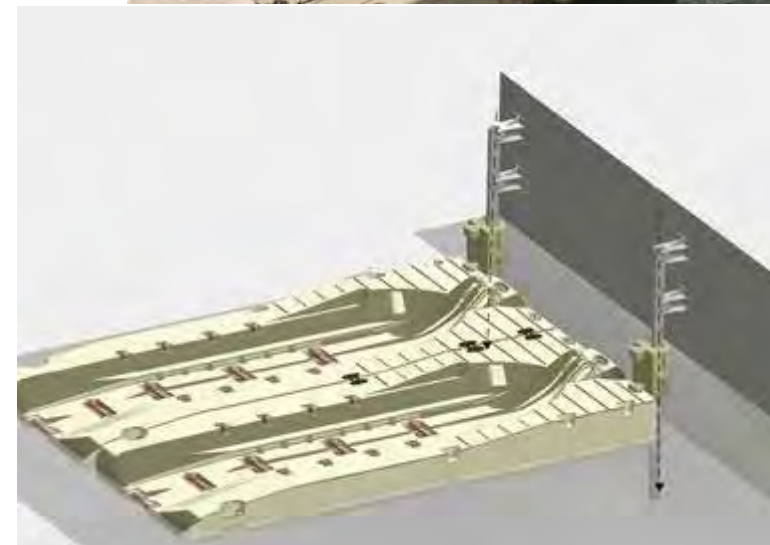
Width	: 33,5 cm	Weight	: 5 kg
Length	: 32,5 cm	Material	: Polyethylene
Height	: 37 cm		

Additional Information

The pier is moored by means of pipes whose diameter is up to 9 cm.

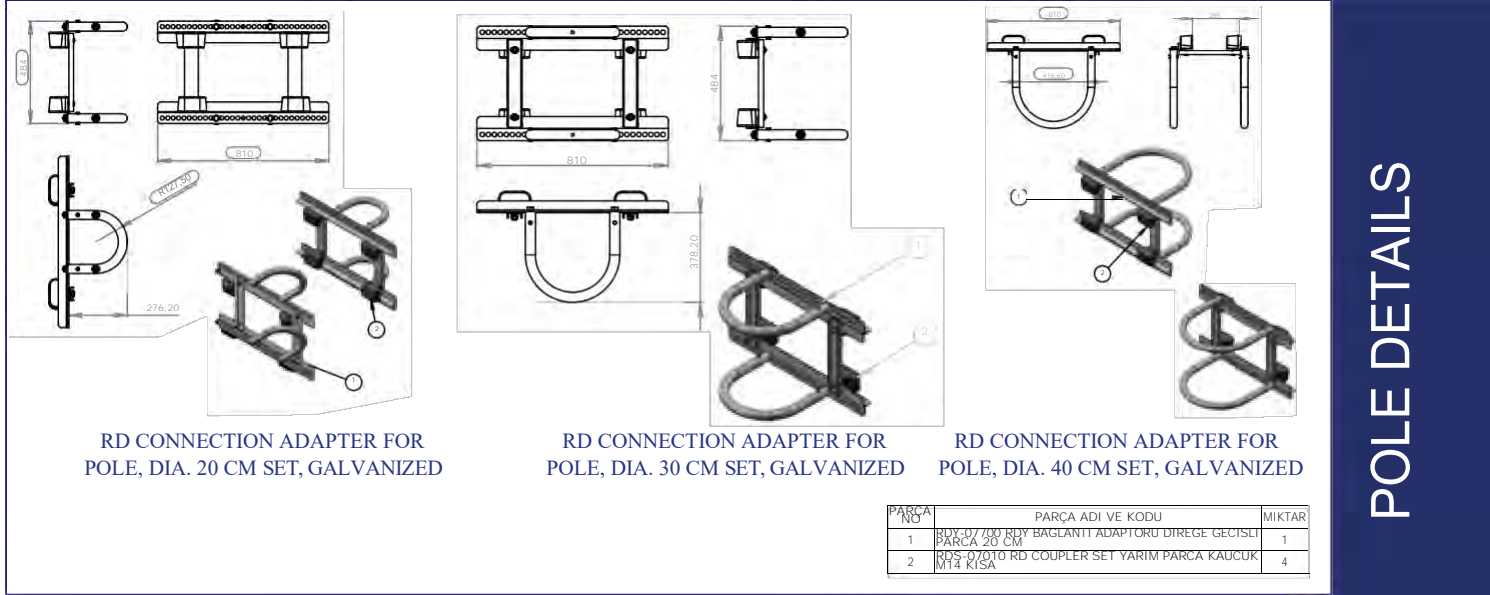
Product Code: Product Definition:

JET PORT JETPORT MODEL HAS INCLUDED IN MOLD 2 HOLES DIAM 9CM FOR POLES



Product Code: Product Definition:

Mooring with Pole

RDS-07420 RD CONNECTION ADAPTER FOR POLE, DIA. 20 CM SET, GALVANIZED**RDS-07430** RD CONNECTION ADAPTER FOR POLE, DIA. 30 CM SET, GALVANIZED**RDS-07440** RD CONNECTION ADAPTER FOR POLE, DIA. 40 CM SET, GALVANIZED

Additional Information

It allows the pier systems to be moored by using poles of 20, 30 and 40 cm diameter.

RDS-07500-BJ STIFF ARM SET, GALVANIZED

Mooring with Arm



Technical Information

Width	: 94 cm	Weight	: 55,5 kg
Length	: 38 cm	Material	: Galvanized
Height	: 122 cm		

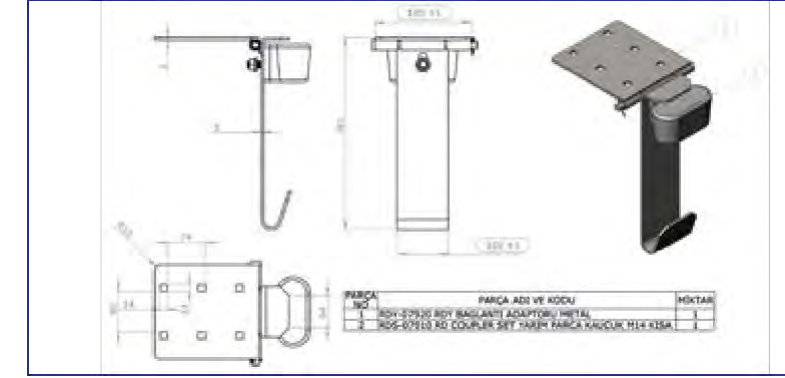
Additional Information

It is used to fasten the systems required to be installed in a particular distance from the coast.



Product Code: Product Definition:

Mooring with Arm

RDS-07400 RD CONNECTION ADAPTER TABLE

Technical Information

Width	: 20,5 cm	Weight	: 5 kg
Length	: 26 cm	Material	: Galvanized
Height	: 38 cm		

Additional Information

It allows connection of Rotodock system with other concrete or floating system with the bolts.

